

Automated Boom Section Control

98-01166-R0

Swath Manager 5

Swath Manager 5 Functions

- Auto control up to five boom sections.
- The CenterLine determines when sections are in or out of an applied region.
- The Rate Controller maintains full control over product application.
- Boom Sections are activated and deactivated based on the percentage of boom overlap setting (0%, 50%, 100%).

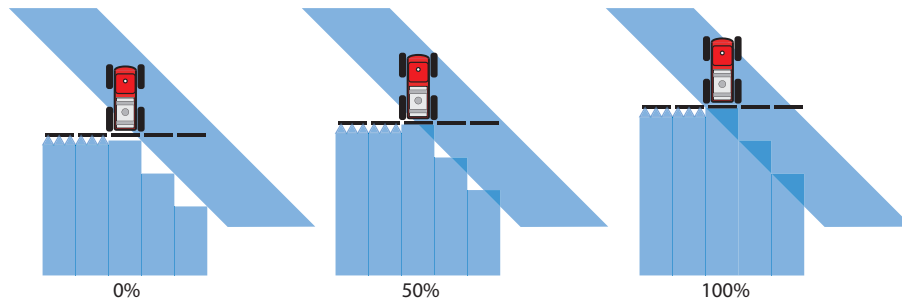


Figure 1: %Overlap Examples

Installation

Cable 45-05462 & 45-05463

- Connect between controller and main harness

Cable 45-05467

- Use T-Taps supplied with harness to tap into the signal wire between switchbox or existing switches and boom shutoff valves.

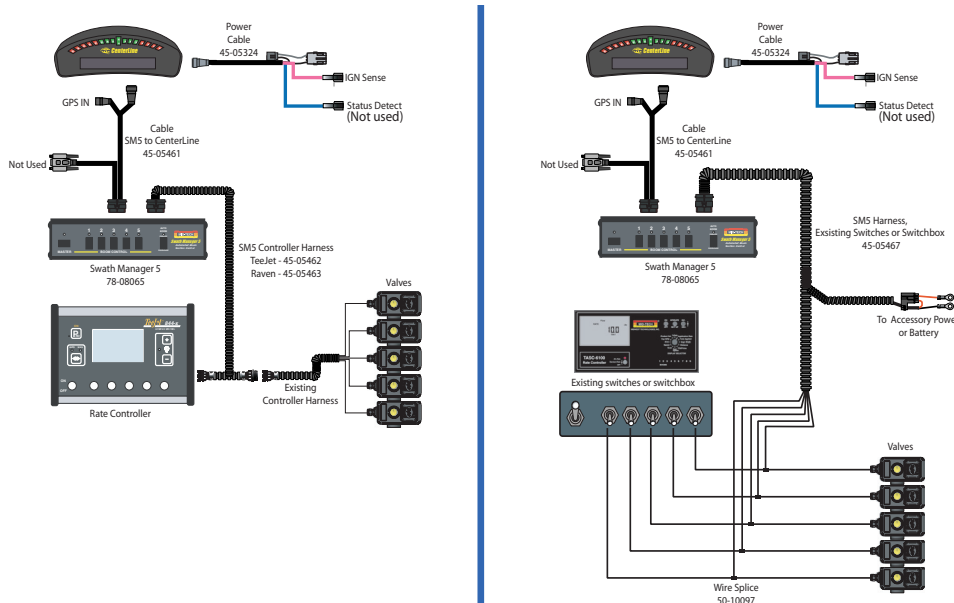


Figure 2: Installation System Diagrams

CenterLine Settings

- The **Swath Man** setting is only available when Swath Manager 5 is detected.
- When Swath Manger 5 is detected the **Status** setting is deactivated.
- In Guidance Setup the **Width** setting is used for guidance only.

Swath Man

1. Select the desired %overlap (0%, 50%, 100%)
2. Enter the number of boom sections 1-5
3. Enter the width for each boom section
4. Set a delay in seconds. This will act as a look ahead to turn booms off and on when entering and exiting an applied zone

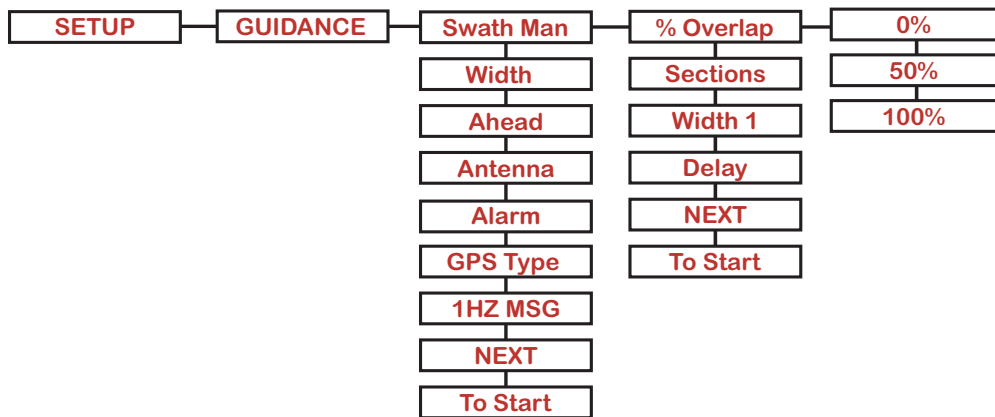


Figure 3: Swath Manager 5 Setup

Swath Manager 5 & Controller Switch Configuration

Swath Manager 5 System	SWITCH POSITIONS					
	* Controller Master Switch or original Master Switch	** Controller Boom Switches or original Boom Switches	SM5 Master Switch	SM5 Boom Switches	Auto Boom Switch Engage / Disengage	
Swath Manager 5 Auto Boom mode	ON	OFF	ON	ON	Engage	
Swath Manager 5 Manual Boom mode	ON	OFF	ON	ON	Disengage	For Individual boom section control use SM5 boom switches
<p>* TeeJet Controller ONLY the controller master switch OFF will force all boom sections OFF.</p> <p>** Controller boom switches ON will force boom sections ON.</p>						

Figure 4: Switch Positions